

Service Bulletin

3500 Fifth Wheel

Important Seasonal Preventative Maintenance for your FW35 Fifth Wheel (October 10, 2001)

⚠️ WARNING Failure to properly install, operate, or maintain this fifth wheel could result in tractor and trailer separation causing death or serious injury to others.

The two most important items in eliminating fifth wheel operating difficulties are:

1. Proper fifth wheel preventative maintenance procedures (including as needed lubrication)
2. Proper coupling procedures

1. Proper Fifth Wheel Preventative Maintenance

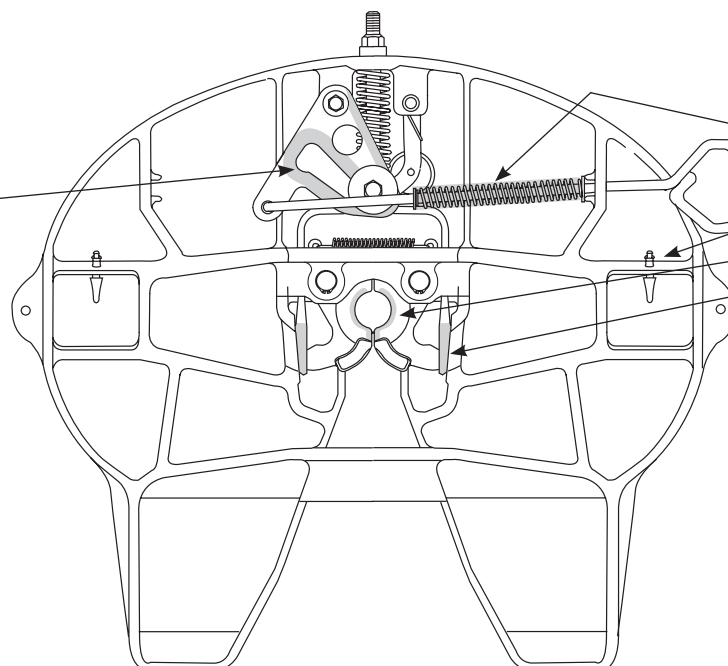
Routine periodic maintenance and lubrication are a necessary part of your 3500 fifth wheel's service life.

To get the maximum service life, perform the steps below at the intervals shown:

- A. Thoroughly clean the locking mechanism every 6 months or 60,000 miles.
- B. Inspect for bent, broken or missing parts every 6 months or 60,000 miles. Replace as necessary (use only genuine Holland parts).
- C. Relube, as shown below. Inspect regularly and relubricate as necessary.
- D. Check the operation by locking and unlocking using a Holland lock tester. Verify that the fifth wheel is completely closed, as shown on opposite side.

CLEAN:
ALL MOVING COMPONENTS
RECOMMENDATION:
Clean with spray WD-40 or CRC

OIL LUBRICATE:
CAM PLATE PROFILE
AND WASHERS
RECOMMENDATION:
Lubricate with SAE 10W or 20W motor oil



GREASE
Release handle and spring
Pocket fittings (right and left sides)
Locks
Yoke tips
RECOMMENDATION:
A "low temp" grade grease for -30°F or lower, such as:
Cato Oil & Grease #5213
Craftsman Chemical Co. #LTF 2
Mystic LP-200 or equivalent



SAF-HOLLAND Group

Service Bulletin

2. Proper Coupling Procedures

One of the most common causes of coupling difficulties is improper coupling procedures. A visual inspection is the best way to insure proper coupling. Also, it is required by law as part of the pre-trip inspection.

After coupling, look for the following:

SAF-HOLLANDS's 3500 Coupling Instructions (Publication XL-FW335-XX) highlights the most important steps in proper fifth wheel coupling. For copies of the 3500 Coupling instructions or any other service need, please contact your local Holland representative.

In the US, call 1-888-396-6501. In Canada, call 604-574-7491 for British Columbia, Alberta and Saskatchewan; or 519-537-2366 for Manitoba, Ontario, Quebec and Atlantic Canada. Refer to SAF-HOLLAND Publication XL-FW306-XX and XL-FW308-XX for complete operating and maintenance procedures.

Visually check lock

